



**MADE IN  
GERMANY**



## Electrical food slicer icaro<sup>7</sup> selected design

### Details

- full metal construction
- silver metallic
- foldable supply table
- serrated circular blade, 17 cm Ø
- slice thickness adjustable up to approx. 14 mm
- two-finger switch-on safety system
- switch for intermittent and continuous operation
- divisible carriage for space-saving storage when slicer is folded
- carriage way approx. 20 cm
- food tray
- cable compartment
- warranty: 2 years\*
- product made in Germany

### Technical features

- 230 V, 65 Watt eco-motor, duty cycle 5 minutes
- VDE/GS, protection class 2, CE
- width 24.0 cm (folded 10 cm) height 20.0 cm
- depth 34.0 cm
- weight: 3.6 kg

### Item-No. / GTIN

521.000 / 40 04822 52100 8

### PU / PU-GTIN

2 / 40 04822 00011 4



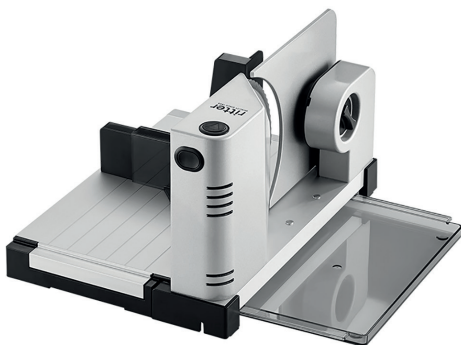
Subject to change without notice.

\*The 2-year manufacturer's warranty applies to all devices sold within the European Union. Your legal warranty claims according to § 437 ff. BGB (German Civil Code) remain unaffected by this regulation. You can view the warranty conditions at <https://www.ritterwerk.de/warranty>.

## Electrical food slicer icaro<sup>7</sup> foldable for storage

With the icaro<sup>7</sup>, the first foldable full metal food slicer, the focus is clearly on functionality since the device can be folded up to save space after use. Folded, the food slicer is just 10 cm wide and can be stored in the cupboard – practical and space-saving. icaro<sup>7</sup> is thus the perfect food slicer when there's not much space available in the kitchen. Even while in use, the practical device is space-saving on the work surface.

The full metal construction of the food slicer offers particular stability as well as optimal slicing results, which also increases the durability of the device. Whether wafer-thin or up to approx. 14 mm thick – everything is sliced evenly into appetizing slices – regardless of whether it's bread, sausage, cheese or even vegetables. The stainless steel serrated circular blade, ensures the perfect „slice“.



More practical details underline the user-friendliness of the foldable food slicer: Thus, the circular blade can easily be removed for cleaning with no additional tools thanks to a convenient bayonet quick-acting lock. Likewise, the carriage can easily be released and removed for simple cleaning. Even extra large food items are no problem for the icaro<sup>7</sup> food slicer thanks to the broad-surfaced metal slicing board.

The two-finger switch-on safety system establishes additional safety while slicing. The full metal food slicer can be used in intermittent and continuous operation as desired.



The icaro<sup>7</sup> is driven by a 65 W eco motor which is 20 % more economical and just the same 50 % more powerful than the previous model.

Timeless design in a clear Bauhaus look which captivates: the icaro<sup>7</sup> food slicer has won the renowned iF DESIGN AWARD. With the iF DESIGN AWARD 2015, the jury honored more than just the product. In fact, the award once again confirmed the success of the Bauhaus design tradition which ritterwerk has been following for more than 50 years.

High-quality materials and a perfect manufacturing quality guarantee a long life span for the icaro<sup>7</sup> – an ideal device for anyone who values a practical and high-quality device as well as „made in Germany“ technology.

A smooth ham- and sausage circular blade is available for every ritter food slicer.

